



STANLEY

TURNING YOUR HOUSE INTO A HOME

Stanley Stoves

Contents

A Tradition of Excellence	1
Making Your Choice	2-3
Oisin and Fionn	4-5
Tara Solid Fuel and Tara Electric	6-7
Maeve and Erin	8-9
Ashling Solid Fuel and Ashling Oil	10-11
Finding the Right Stove	12
Frequently Asked Questions	13

With over 100 years of experience, Waterford Stanley products are recognised for their unique combination of design and performance.

Traditional elegance and the highest quality materials are the reasons that our Stanley stoves have been at the heart of so many homes for so many years.

Advanced engineering complements the elegant styling to give you the ultimate performance, efficiency and durability.

A baby with dark hair in a small ponytail, wearing a pink short-sleeved shirt, is sitting on a red surface. The baby is looking directly at the camera with a neutral expression. The background is a solid red color.

Choosing a stove for your home.... as special and as unique as your lifestyle

Your home is unique and your lifestyle demands flexibility. Stanley offers you a large range of sizes, colours and fuel types so that you can choose the right stove to suit your home.

Solid Fuel

Natural Gas

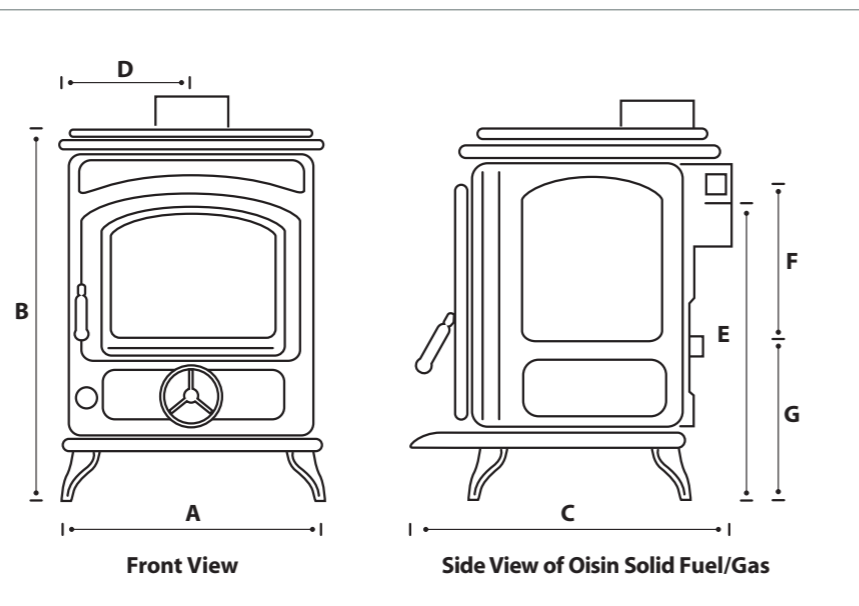


Oisin Solid Fuel / Gas

The Oisin is one of our small stoves and offers high heat output and great efficiency. The compact design ensures that it will fit easily into your home. It is ideal for small rooms and apartment living.

Oisin Solid Fuel / Gas Features

- Removable ash-pan (solid fuel only)
- Domestic hot water boiler option (solid fuel only)
- High heat efficiency
- Automatic ignition (gas only)
- Controllable heat output
- Flame supervision and vent shut-off safety devices (gas only)
- Top flue exit on solid fuel and gas models only



Dimensions	A	B	C	D	E	F	G
Metric (mm)	390mm	535mm	380mm	195mm	445mm	220mm	255mm
Imperial (inches)	15 ³ / ₈ "	21"	15"	7 ⁷ / ₈ "	17 ¹ / ₂ "	8 ⁷ / ₁₆ "	10"

F and G Dimensions ONLY apply to solid fuel Oisin model
Dimensions stated may be subject to slight +/- variation

Flue size: 5"

Solid Fuel

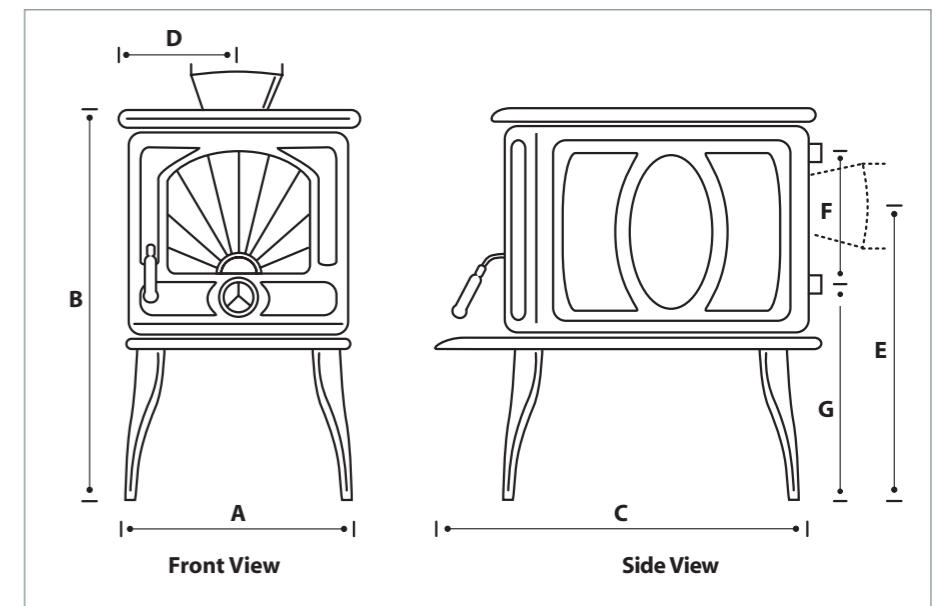


Fionn Solid Fuel

Another of our small stoves, the Fionn offers efficiency and economy in a compact design. It is suitable for wood, coal and smokeless fuel. Drawing on successful designs from the past, this traditional box stove is one of only two in the Stanley collection which offers a hotplate.

Fionn Solid Fuel Features

- Central-heating boiler
- Solid fuel capacity
- Convected and radiant heat
- Removable ash-pan
- Non-boiler version available
- Hotplate on top
- Boiler version heats up to 2-3 radiators



Dimensions	A	B	C	D	E	F	G
Metric (mm)	370mm	650mm	595mm	185mm	540mm	105mm	425mm
Imperial (inches)	14 ¹ / ₂ "	25 ⁵ / ₈ "	23 ³ / ₈ "	7 ¹ / ₄ "	21 ¹ / ₄ "	4 ¹ / ₁₆ "	16 ³ / ₄ "

F and G Dimensions do not apply to Fionn non-boiler model
Dimensions stated may be subject to slight +/- variation

Flue size: 6"



Colours available for the Oisin
1 Forest Green 2 Blue 3 Matt Black
4 Majolica Brown 5 Enamel Black



Colours available for the Fionn
1 Forest Green 2 Blue 3 Matt Black
4 Majolica Brown 5 Enamel Black

Solid Fuel



Electric

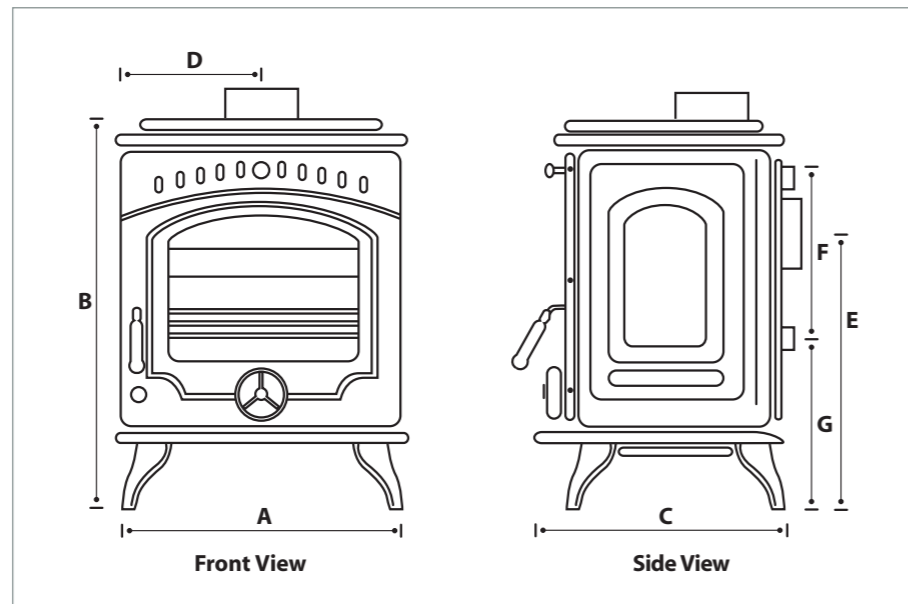


Tara Solid Fuel

Another medium-sized stove in our collection is the Tara, which comes in a choice of colours to suit a wide variety of interiors. With simple, easy-to-use controls, the Tara stove combines durability and efficiency.

Tara Solid Fuel Features

- Overnight burn capabilities
- Suitable for burning wood, coal, anthracite and peat briquettes
- Hi-chrome removable shaker grate
- Easily removable boiler cleaning door
- Removable ash-pan, fire fence and front ash-tray
- Boiler version heats up to 5-6 radiators
- Available in boiler and non-boiler models



Dimensions	A	B	C	D	E	F	G
Metric (mm)	545mm	700mm	480mm	273mm	476mm	296mm	289mm
Imperial (inches)	21 1/2"	27 1/2"	18 7/8"	10 7/8"	18 3/4"	11 3/8"	11 1/8"

F and G Dimensions do not apply to Tara non-boiler model
Dimensions stated may be subject to slight +/- variation

Flue size: 6"



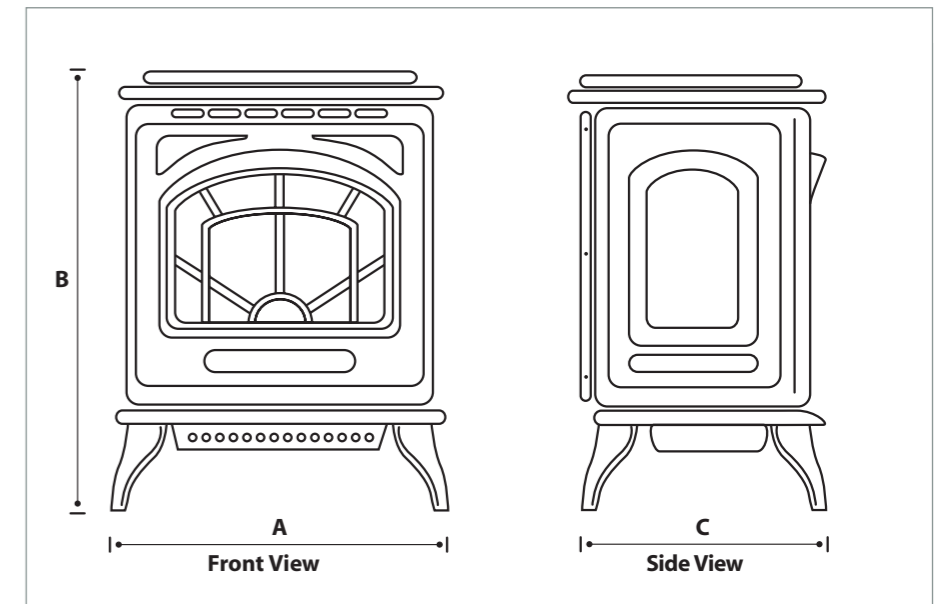
Colours available for the Tara
1 Forest Green 2 Blue 3 Matt Black
4 Majolica Brown 5 Enamel Black

Tara Electric

The Tara Electric is one of the easiest stoves to install - you simply plug it in! And it's so versatile that it's ideal for any room in your house, apartment, or conservatory.

Tara Electric Features

- Clean, safe and economic heating
- Attractive real-fire log effect for that special cosy atmosphere
- Flame effect can be used with or without the heating option
- Can be free standing: no chimney, flue or hearth needed
- Durable cast iron: lasts a lifetime under normal use
- Two heat settings: 1kW or 2kW



Dimensions	A	B	C
Metric (mm)	545mm	715mm	395mm
Imperial (inches)	21 1/2"	28 1/8"	15 1/2"

Dimensions stated may be subject to slight +/- variation



Colours available for the Tara Electric
1 Forest Green 2 Blue 3 Matt Black
4 Majolica Brown 5 Enamel Black

Natural Gas / LPG

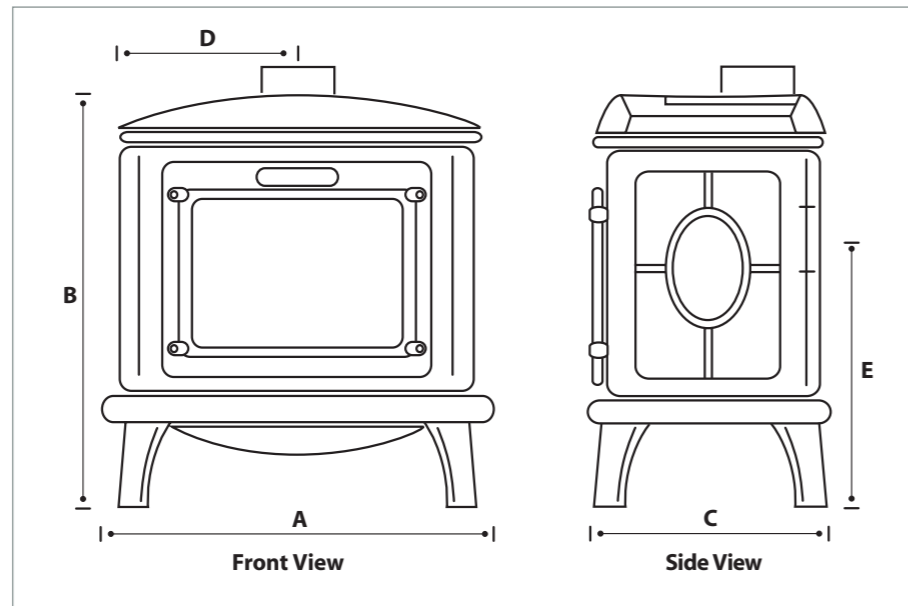


Maeve Gas

This medium-sized natural gas / LPG stove has a modern design that combines style and performance. The Maeve stove allows you to enjoy the experience of traditional stove heating within a contemporary home or apartment setting.

Maeve Gas Features

- Ceramic fibre logs or coal (real fire effect)
- Adjustable flame setting
- Flame failure device
- Multi-purpose control knob
- Natural gas or LPG
- Log effect only available on balanced flue models – for rooms without a chimney. Balanced flue models require an external wall installation.
- Coal effect only available on B vent models – for rooms with a conventional chimney.



Dimensions	A	B	C	D	E
Metric (mm)	720mm	705mm	415mm	325mm	460mm
Imperial (inches)	28 ³ / ₈ "	27 ¹ / ₂ "	16 ⁵ / ₈ "	12 ¹ / ₂ "	18 ¹ / ₈ "

Dimensions stated may be subject to slight +/- variation

Flue size: 6"



Colours available for the Maeve
1 Forest Green 2 Blue 3 Matt Black
4 Majolica Brown 5 Enamel Black

Solid Fuel

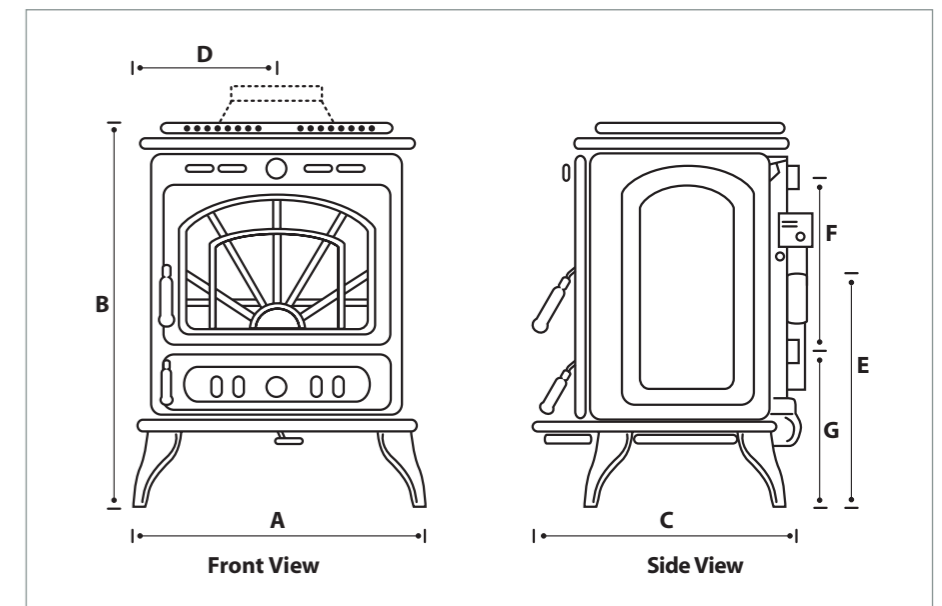


Erin Solid Fuel

As one of our larger stoves, the Erin not only heats up to 9 radiators but also provides a plentiful source of hot water for your home. Its versatility means that it can burn wood, coal, peat briquettes or smokeless fuel. Combining the power and efficiency of its heat output, the Erin is the right choice for the larger home.

Erin Solid Fuel Features

- High output boiler
- Automatic thermostat control
- Easy action riddling
- Overnight burning capacity
- Boiler version heats up to 9 radiators
- Non-boiler version also available
- Air-wash facility to clean stove window



Dimensions	A	B	C	D	E	F	G
Metric (mm)	590mm	750mm	520mm	295mm	455mm	320mm	290mm
Imperial (inches)	23 ¹ / ₂ "	29 ¹ / ₂ "	20 ¹ / ₂ "	11 ³ / ₈ "	17 ³ / ₈ "	12 ³ / ₈ "	11 ¹ / ₂ "

F and G Dimensions do not apply to Erin non-boiler model
 Dimensions stated may be subject to slight +/- variation

Flue size: 6"



Colours available for the Erin
1 Forest Green 2 Blue 3 Matt Black
4 Majolica Brown 5 Enamel Black

Solid Fuel



Ashling Solid Fuel

The Ashling is one of our large solid fuel stoves. It can operate on coal, wood, peat briquettes or smokeless fuels, all of which ensure high output. The substantial hotplate is another remarkable feature of the Ashling stove and makes it an ideal choice for a family home.

Ashling Solid Fuel Features

- Overnight burning capability
- Hi-chrome removable shaker grate system
- Suitable for burning wood, coal, anthracite and peat briquettes
- Solid fuel boiler heats 6-7 radiators
- Air-wash facility to clean stove window

Oil Fuelled



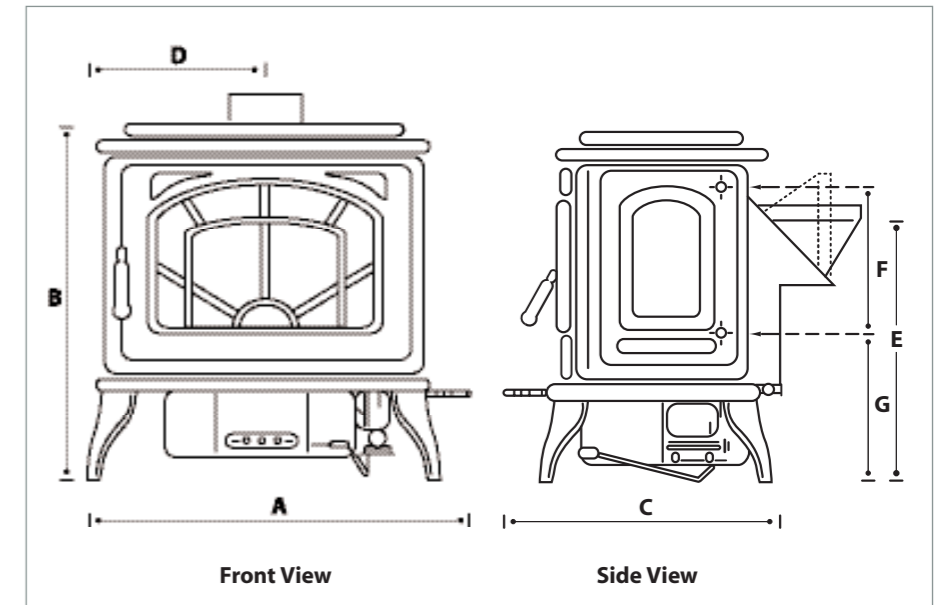
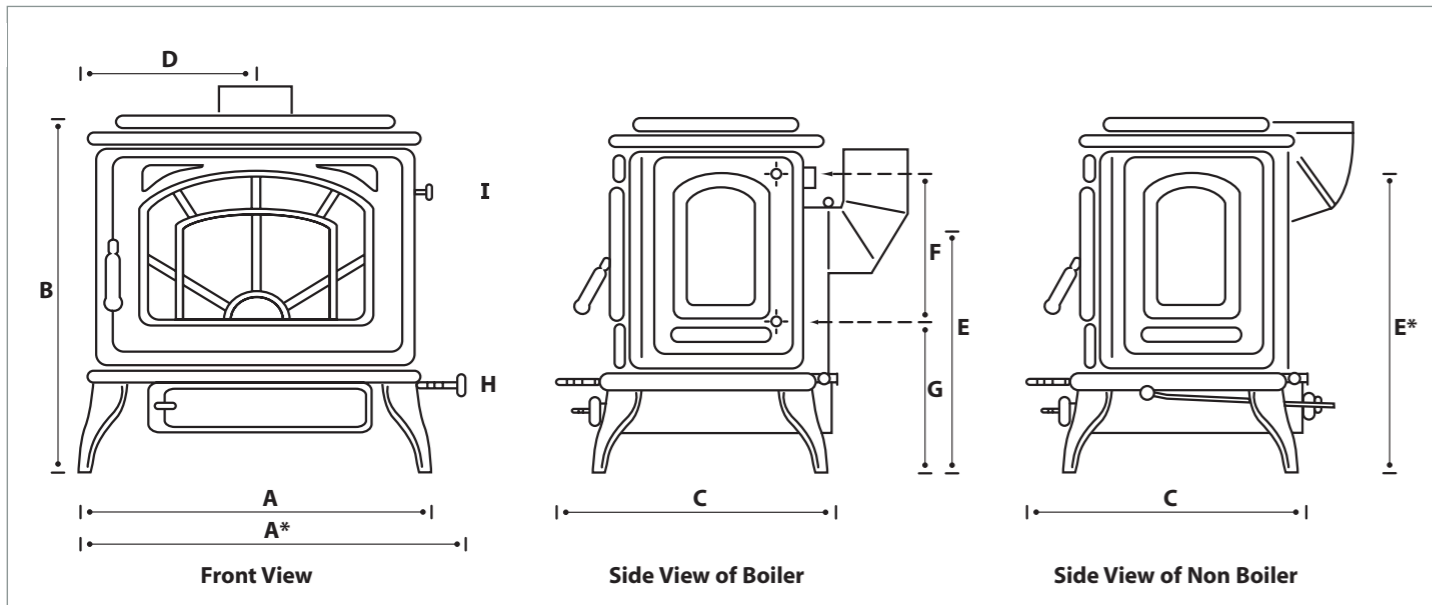
Ashling Oil

BOILER MODEL

The Ashling oil has been designed to allow you maximum control of the burning rate. This means you can direct more heat into the room, ensuring optimum efficiency. Once fired, the Ashling can operate without an electrical supply.

Ashling Oil Features

- Boiler Model will heat up to 4 standard sized radiators
- Electric ignition with easily accessible controls
- Real coal-fire effect with large viewing window of heat resistant glass
- Electrical supply needed



Dimensions	A	A*	B	C	D	E	E*	F	G
Metric (mm)	676mm	697mm	660mm	495mm	330mm	446mm	541mm	305mm	251mm
Imperial (inches)	26 1/2"	27 1/2"	26"	19 1/2"	13"	17 1/2"	21 1/8"	12"	9 7/8"

F and G Dimensions do not apply to Ashling Non-Boiler model
Dimensions stated may be subject to slight +/- variation

Flue size: 6"
H – tap shown on non-boiler models only
I – tap shown on boiler models only

- 1 2 3 4 5
- Colours available for the Oisín**
1 Forest Green 2 Blue 3 Matt Black
4 Majolica Brown 5 Enamel Black

Dimensions	A	B	C	D	E	F	G
Metric (mm)	650mm	675mm	500mm	325mm	460mm	295mm	280mm
Imperial (inches)	26"	27"	20"	13"	18 1/2"	11 1/2"	11 1/8"

Dimensions stated may be subject to slight +/- variation

Flue size: 6" (HPB Model)

- 1 2 3 4 5
- Colours available for the Ashling**
1 Forest Green 2 Blue 3 Matt Black
4 Majolica Brown 5 Enamel Black

Finding the right stove

Models Stanley Stoves	Output			Fuel type				Colours available				
	Boiler	Room Heat	Radiators	Oil	Natural gas	Electric	Solid fuel	Forest Green	Majolica Brown	Blue	Matt Black	Enamel Black
Oisín NB		13,000 BTU 3.8KW			●			■	■	■	■	■
Oisín NB		22,000 BTU 6.4KW					●	■	■	■	■	■
Oisín DHW	11,000BTU 3.2KW	11,000BTU 3.2KW					●	■	■	■	■	■
Fionn HPB	16,000BTU 4.7KW	25,000 BTU 7.3KW	2 or 3				●	■	■	■	■	■
Fionn NB		32,000 BTU 9.4KW					●	■	■	■	■	■
Tara HPB	27,000 BTU 8KW	7,000 BTU 2KW	5 or 6				●	■	■	■	■	■
Tara Log Effect		6,824 BTU 2KW			●			■	■	■	■	■
Tara NB		27,000 BTU 8KW					●	■	■	■	■	■
Maeve NB (B Vent)		17,570 BTU 5KW			●			■	■	■	■	■
Maeve NB (Balanced Flue)		17,570 BTU 5KW			●			■	■	■	■	■
Ashling NB		41,000 BTU 12KW					●	■	■	■	■	■
Ashling HPB	33,000 BTU 9.7KW	21,000 BTU 6.2KW	6 or 7				●	■	■	■	■	■
Ashling HPB	21,000 BTU 6.2KW	7,000 BTU 2KW	4	●				■	■	■	■	■
Erin HPB	45,000 BTU 13.2KW	20,000 BTU 6KW	9				●	■	■	■	■	■
Erin NB		50,000 BTU 14.7KW					●	■	■	■	■	■

Stanley Stove Tips

Calculating your room heating requirement

To calculate the amount of BTUs needed to heat your room take the following steps:

Step 1 Multiply length of room x width of room x ceiling height

Step 2 Multiply this figure by a factor of 5 if your room has a standard amount of windows and doors and has a standard amount of insulation.

or Multiply this figure by a factor of 6 if your room has a greater than average amount of windows and doors and lower than average amount of insulation.

or Multiply this figure by a factor of 7 if your room is north facing.

Example - Room dimensions

14' length x 16' width x 9' ceiling height = 2,016 cubic feet.

For room with average insulation
2,016 x 5 = 10,075.

Therefore 10,075 BTU is the minimum heat output required to heat this room.

NB: Solid fuel heat output figures in table are based on burning household coal.

Other tips

- Before installing your new stove, make sure your chimney is inspected and any cleaning/repair work is carried out.
- We recommend a matt black or enamelled flue pipe for use as a connecting pipe with all Stanley stoves.

- If you're thinking of burning turf or wood – make sure it's fully dried out for maximum heat.

- Ensure you get the highest level of performance from your Stanley by having it serviced every 12 months.

NB: Observe clearance to combustible materials. For further information please consult the installation manual

Stanley Terms

- NB** = Non-Boiler
- HPB** = High Pressure Boiler
- DHW** = Domestic Hot Water
- B Vent** = A standard chimney
- Balanced Flue** = For rooms that do not have a conventional chimney, but have an external wall.

Stanley Stoves - Frequently Asked Questions

To make your decision easier, we've included answers for seven of the most frequently asked questions.

1 Can the doors be left open while burning?

For safety and heat efficiency the doors should remain closed at all times.

2 Do stoves require a chimney?

All stoves except the Tara Electric and balanced flue models require a suitable chimney.

3 How do I clean the chimney?

You will require a chimney sweep to clean the chimney. It is best to provide a dedicated chimney cleaning sootbox.

4 Are there hotplate options available?

Hotplate options are available on the Fionn and Ashling solid fuel stoves.

5 How do I regulate the heat output?

Depending on which stove you have, you will either have a damper (primary air), thermostat or spin valve, which will allow you to easily regulate the heat output.

6 What warranty policy do I get?

Waterford Stanley will replace, free of charge, any working part that fails (under normal operating conditions) within 12 months of purchase.

7 Where can I get spare parts?

Your local Stanley Centre or Stanley retailer will be pleased to supply spare parts and to provide any other information you require.

Any further product or service information can be obtained by calling the Waterford Stanley Sales Department.

Sales Dept. 051 302 302
LoCall 1850 302 502

You can also contact us on www.waterfordstanley.com

Stated dimensions are subject to change.
Heat outputs are based on laboratory testing.
Calculations are based on average sized radiators.

Free Home Heating Consultancy

To obtain a free home heating report for your home, simply send us a full set of house plans with floor plans and elevations or details of the renovations. Post them to

Waterford Stanley, Home Heating Consultancy, Bilberry, Waterford. Give us a brief description of your heating requirements with details of your preferred fuel types and

Stanley products. Include a return address and your day-time contact telephone number and we'll get back to you with a suggested heating system within 28 days.

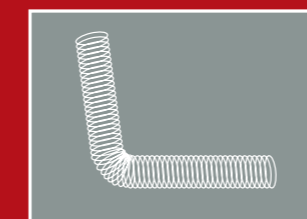
Recommendation for Installing your Stanley

Waterford Stanley want you to enjoy the maximum performance from your Stanley products. To ensure this, it is essential that they are installed correctly. To assist you, we have a nationwide network of plumber, installers and commissioning agents available.

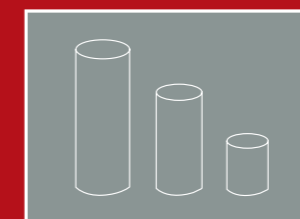
We strongly recommend that your Stanley oil and gas products are commissioned by one of our authorised agents. Please ask your local dealer for full details.

When installing your Stanley products, we recommend that you use Stanley parts and flue systems only. Stanley conventional flue systems are now available.

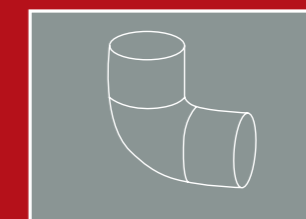
Sample of Stanley Flueing Systems



Flexible pipe (for oil and gas)



Selection of pipes



Pipe elbow



STANLEY

Waterford Stanley Limited
Bilberry, Waterford, Ireland

LoCall: 1850 302 502

Telephone: +353 51 302 300

Fax: +353 51 302 375

www.waterfordstanley.com